

CASE FINISH	CURRENT (AMPS)	WORKING VOLTAGE				MAXIMUM DC RESISTANCE (OHMS)	MAXIMUM VOLTAGE DROP		MINIMUM CAPACITANCE (uF)	MIN. INSERTION LOSS PER MIL-STD-220, FULL LOAD, +25°C												
		-55°C TO +85°C		-55°C TO +125°C			DC	AC		14	30	50	75	100	150	300	500	1	10	100	1	10
		AC	DC	AC	DC					KHz	KHz	KHz	KHz	KHz	KHz	KHz	KHz	MHz	MHz	MHz	GHz	GHz
SILVER	15	---	100	---	70	0.005	0.075	---	0.7	--	9	---	---	---	20	29	---	39	52	70	70	---

**PART MARKING:**

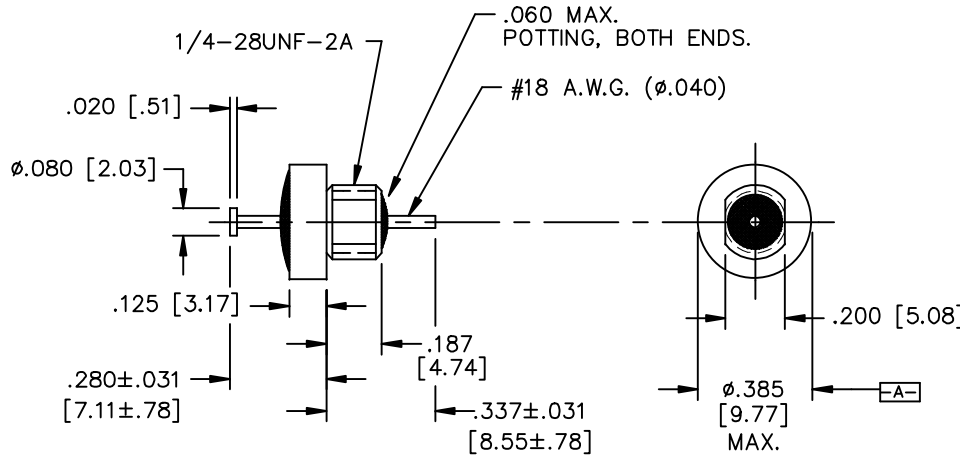
9050F-100-0008  
SCI DATE CODE

**PACKAGE MARKING:**

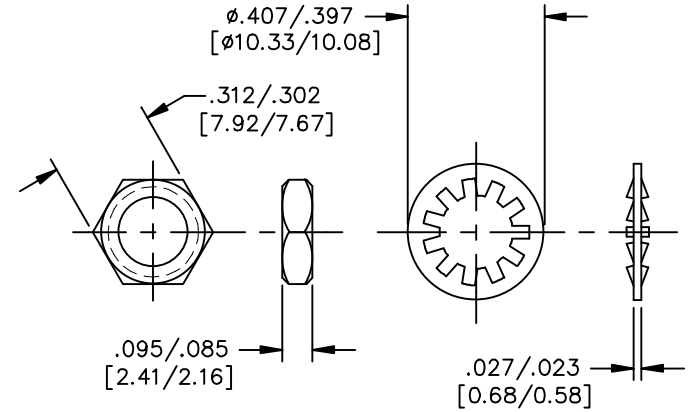
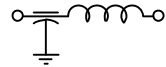
BUBBLE PACK:  
9050F-100-0008  
SCI DATE CODE  
LOT NO.  
QTY.

**MARKING NOTES:**

N/A



SCHEMATIC




MTG. HARDWARE

**NOTES:**

- 1) MOUNTING TORQUE NOT TO EXCEED 7in-lbs.
- 2) THIS IS A LEAD FREE PRODUCT.
- 3) MAX REFLOW IS 245°C FOR 5 SECONDS.



										00	REV. N.D.	UNLESS OTHERWISE SPECIFIED DIMENSIONS ARE IN INCHES. [MILLIMETERS] DO NOT SCALE.	TOLERANCES UNLESS OTHERWISE SPECIFIED Fractions ± Dec. .xx± Dec. .xxx±.010 Angles ±0° 30'	 SPECTRUM CONTROL INC. Dwn. KAUFFMAN Date 12-22-06 Engr. D. REILLY Sheet 1 of 1	ERIE, FAIRVIEW PENNSYLVANIA Description Low Pass EMI Filter 9050F-100-0008	
										CN 32120-CPD	CHANGE NOTICE					CODE IDENT. NO. 0LSP2

Quality Products From The Specialists In Electro-Magnetic Compatibility

