

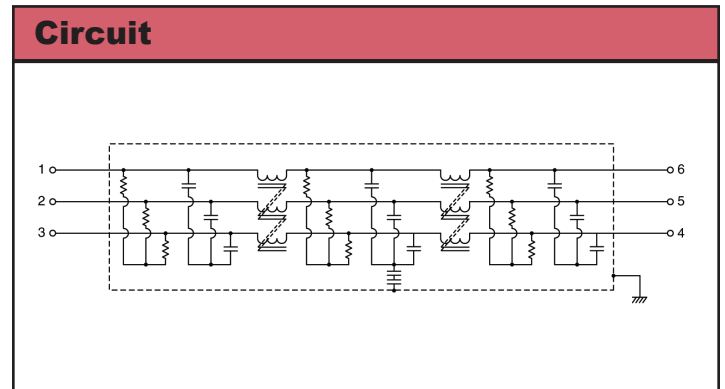
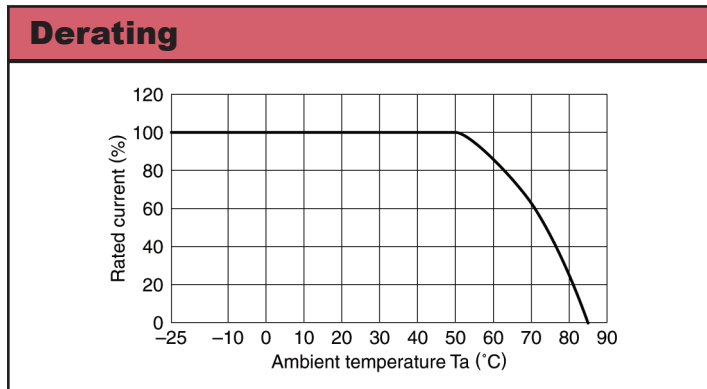
## 6A to 300A, 500VAC EMI Filters

### Features

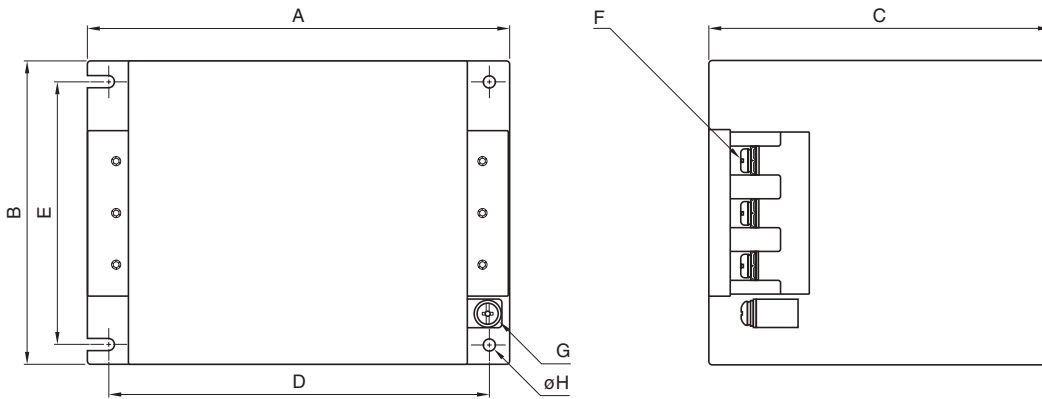
- ◆ Two Stage Filter for Better Performance
- ◆ Square Profile
- ◆ Conforms to UL and EN Safety Agency Certifications



| Specifications               |    |   |           |           |           |           |  |
|------------------------------|----|---|-----------|-----------|-----------|-----------|--|
| Model                        |    | RTHC-5006   | RTHC-5010 | RTHC-5020 | RTHC-5030 | RTHC-5040 |  |
| Rated Voltage (AC, DC)       | V  | 500V Three phase  |           |           |           |           |  |
| Rated Current                | A  | 6A  | 10A       | 20A       | 30A       | 40A       |  |
| DC Resistance (total)        | mΩ | 290   | 120       | 50        | 26        | 20        |  |
| Model                        |    | RTHC-5050   | RTHC-5060 | RTHC-5080 | RTHC-5100 | RTHC-5150 |  |
| Rated Voltage (AC, DC)       | V  | 500V Three phase  |           |           |           |           |  |
| Rated Current                | A  | 50A   | 60A       | 80A       | 100A      | 150A      |  |
| DC Resistance (total)        | mΩ | 14  | 10        | 10        | 8         | 6         |  |
| Model                        |    | RTHC-5200   | RTHC-5250 | RTHC-5300 |           |           |  |
| Rated Voltage (AC, DC)       | V  | 500V Three phase  |           |           |           |           |  |
| Rated Current                | A  | 200A  | 250A      | 300A      |           |           |  |
| DC Resistance (total)        | mΩ | 4   | 3         | 2         |           |           |  |
| Withstand Voltage            | V  | Terminals to Case: 2500VAC (1 Minute)                         |           |           |           |           |  |
| Isolation Resistance         | MΩ | 100MΩ minimum (500VDC, 1 Minute)                              |           |           |           |           |  |
| Leakage Current (max)        | mA | 2.5mA at 250VAC 60Hz, 5mA at 500VAC 60Hz                      |           |           |           |           |  |
| Operating Temperature        | °C | -25 to +85°C (Derate above 50°C, see derating curve)          |           |           |           |           |  |
| Storage Temperature          | °C | -25 to +85°C  |           |           |           |           |  |
| Safety Agency Certifications | -  | UL1283 (Up to 150A) & EN60939                                 |           |           |           |           |  |
| Weight                       | g  | 800g to 14800g model dependant (See weights chart on website) |           |           |           |           |  |
| Warranty                     | yr | 1 Year  |           |           |           |           |  |



**Outline Drawing**



Dimensions in mm

| Part No.  | A   | B   | C   | D   | E   | F   | G  | H   | Recommended clamping torque                                       |
|-----------|-----|-----|-----|-----|-----|-----|----|-----|---|
| RTHC-5006 | 145 | 95  | 120 | 130 | 78  | M4  | M4 | 4.5 | M4 1.27N m<br>M5 2.5N m<br>M6 4.8N m<br>M8 7.64N m<br>M10 11.8N m |
| RTHC-5010 |     |     |     |     |     |     |    |     |   |
| RTHC-5020 | 160 | 105 | 135 | 145 | 85  | M4  | M4 |     |   |
| RTHC-5030 |     |     |     |     |     |     |    |     |   |
| RTHC-5040 | 190 | 128 | 160 | 170 | 102 | M5  | M4 |     |   |
| RTHC-5050 |     |     |     |     |     |     |    |     |   |
| RTHC-5060 | 240 | 161 | 210 | 220 | 135 | M8  | M6 | 6.5 |   |
| RTHC-5080 |     |     |     |     |     |     |    |     |   |
| RTHC-5100 |     |     |     |     |     |     |    |     |   |
| RTHC-5150 | 255 | 190 | 232 | 235 | 164 | M8  | M6 | 6.5 |   |
| RTHC-5200 |     |     |     |     |     |     |    |     |   |
| RTHC-5250 | 340 | 195 | 262 | 320 | 169 | M10 | M8 | 6.5 |   |
| RTHC-5300 |     |     |     |     |     |     |    |     |   |

For Additional Information, please visit [us.tdk-lambda.com/lp/products/r-series.htm](http://us.tdk-lambda.com/lp/products/r-series.htm)

