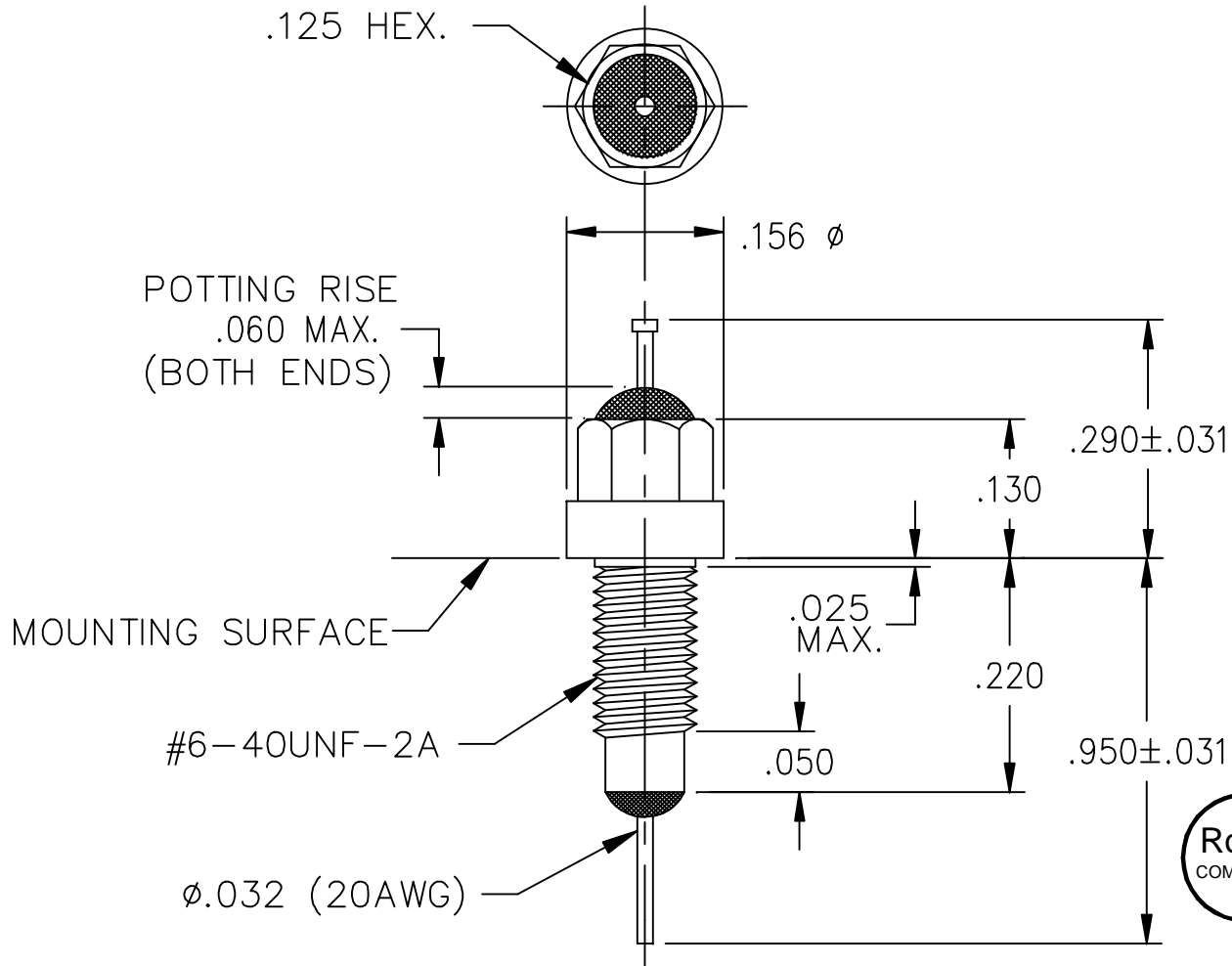
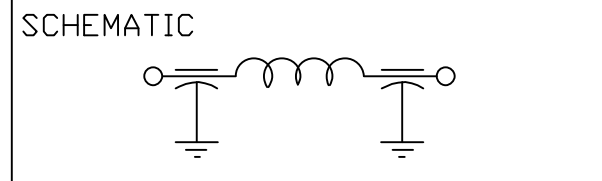


+0.000
-0.005
.125 HEX.



BUSHING FINISH:	SILVER
LEAD FINISH	SILVER
CAPACITANCE	3000 pF GMV
TEMP. RANGE	-55°C TO 125°C
CURRENT	10 AMP MAX.
DCR	.005 Ω MAX.
WORKING VOLTAGE	85°C 300 VDC 125°C 200 VDC
MIN. IL PER MIL-STD-220, 25°C, NO LOAD	
FREQ. (MHz)	dB
10	8
100	50
1GHz	70
10GHz	70

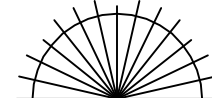


MARKING:

PART: 89004
BAG: SCI-1289F-004
XXXX DATE CODE
XXX QTY.
(200 PCS./BAG MAX.)



NOTE: 1. MAXIMUM MOUNTING TORQUE=3in.lbs. 3. THIS IS A LEAD FREE PRODUCT.
2. HARDWARE IS INCLUDED 4. MAX REFLOW IS 245° FOR 5 SEC.

			00	REV. NO.	TOLERANCES UNLESS OTHERWISE SPECIFIED	 ERIE, FAIRVIEW PENNSYLVANIA SPECTRUM CONTROL INC.
			CN 30514-CPD	CHANGE NOTICE	Fractions ± 1/64	
					Dec. .xx±	
					Dec. .xxx± .010	
					Angles ±0° 30'	
					CODE IDENT. NO. 0LSP2	Dwn. SLAGLE Description Ckd. 09-19-06 FILTER Apvd. R. Struchen Scale NONE 1289F-004