



Is Now Part of



ON Semiconductor®

To learn more about ON Semiconductor, please visit our website at
www.onsemi.com

ON Semiconductor and the ON Semiconductor logo are trademarks of Semiconductor Components Industries, LLC dba ON Semiconductor or its subsidiaries in the United States and/or other countries. ON Semiconductor owns the rights to a number of patents, trademarks, copyrights, trade secrets, and other intellectual property. A listing of ON Semiconductor's product/patent coverage may be accessed at www.onsemi.com/site/pdf/Patent-Marking.pdf. ON Semiconductor reserves the right to make changes without further notice to any products herein. ON Semiconductor makes no warranty, representation or guarantee regarding the suitability of its products for any particular purpose, nor does ON Semiconductor assume any liability arising out of the application or use of any product or circuit, and specifically disclaims any and all liability, including without limitation special, consequential or incidental damages. Buyer is responsible for its products and applications using ON Semiconductor products, including compliance with all laws, regulations and safety requirements or standards, regardless of any support or applications information provided by ON Semiconductor. "Typical" parameters which may be provided in ON Semiconductor data sheets and/or specifications can and do vary in different applications and actual performance may vary over time. All operating parameters, including "Typicals" must be validated for each customer application by customer's technical experts. ON Semiconductor does not convey any license under its patent rights nor the rights of others. ON Semiconductor products are not designed, intended, or authorized for use as a critical component in life support systems or any FDA Class 3 medical devices or medical devices with a same or similar classification in a foreign jurisdiction or any devices intended for implantation in the human body. Should Buyer purchase or use ON Semiconductor products for any such unintended or unauthorized application, Buyer shall indemnify and hold ON Semiconductor and its officers, employees, subsidiaries, affiliates, and distributors harmless against all claims, costs, damages, and expenses, and reasonable attorney fees arising out of, directly or indirectly, any claim of personal injury or death associated with such unintended or unauthorized use, even if such claim alleges that ON Semiconductor was negligent regarding the design or manufacture of the part. ON Semiconductor is an Equal Opportunity/Affirmative Action Employer. This literature is subject to all applicable copyright laws and is not for resale in any manner.

74VHC161284 IEEE 1284 Transceiver

General Description

The VHC161284 contains eight bidirectional data buffers and eleven control/status buffers to implement a full IEEE 1284 compliant interface. The device supports the IEEE 1284 standard and is intended to be used in Extended Capabilities Port mode (ECP). The pinout allows for easy connection from the Peripheral (A-side) to the Host (cable side).

Outputs on the cable side can be configured to be either open drain or high drive (± 14 mA). The pull-up and pull-down series termination resistance of these outputs on the cable side is optimized to drive an external cable. In addition, all inputs (except HLH) and outputs on the cable side contain internal pull-up resistors connected to the V_{CC} supply to provide proper termination and pull-ups for open drain mode.

Outputs on the Peripheral side are standard LOW-drive CMOS outputs. The DIR input controls data flow on the A_1 – A_8 / B_1 – B_8 transceiver pins.

Features

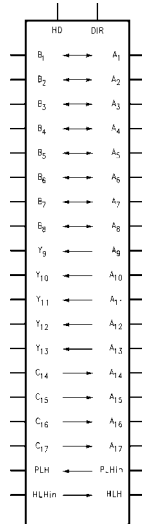
- Supports IEEE 1284 Level 1 and Level 2 signaling standards for bidirectional parallel communications between personal computers and printing peripherals
- Replaces the function of two (2) 74ACT1284 devices
- All inputs have hysteresis to provide noise margin
- B and Y output resistance optimized to drive external cable
- B and Y outputs in high impedance mode during power down
- Inputs and outputs on cable side have internal pull-up resistors
- Flow-through pin configuration allows easy interface between the Peripheral and Host

Ordering Code:

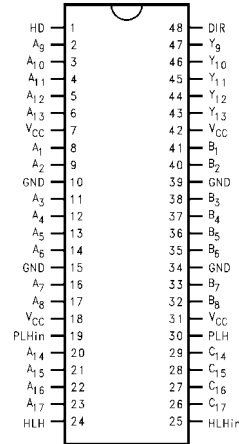
Ordering Number	Package Number	Package Description
74VHC161284MEA	MS48A	48-Lead Small Shrink Outline Package (SSOP), JEDEC MO-118, 0.300" Wide
74VHC161284MTD	MTD48	48-Lead Thin Shrink Small Outline Package (TSSOP), JEDEC MO-153, 6.1mm Wide

Surface mount packages are also available on Tape and Reel. Specify by appending the suffix letter "X" to the ordering code.

Logic Symbol



Connection Diagram



Pin Descriptions

Pin Names	Description
HD	HIGH Drive Enable Input (Active HIGH)
DIR	Direction Control Input
A ₁ -A ₈	Inputs or Outputs
B ₁ -B ₈	Inputs or Outputs
A ₉ -A ₁₃	Inputs
Y ₉ -Y ₁₃	Outputs
A ₁₄ -A ₁₇	Outputs
C ₁₄ -C ₁₇	Inputs
PLH _{IN}	Peripheral Logic HIGH Input
PLH	Peripheral Logic HIGH Output
HLH _{IN}	Host Logic HIGH Input
HLH	Host Logic HIGH Output

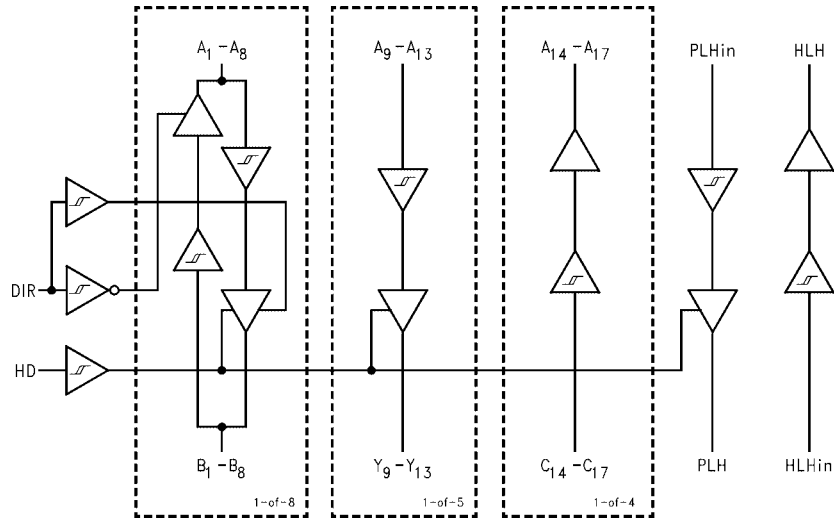
Truth Table

Inputs		Outputs
DIR	HD	
L	L	B ₁ -B ₈ Data to A ₁ -A ₈ , and A ₉ -A ₁₃ Data to Y ₉ -Y ₁₃ (Note 1) C ₁₄ -C ₁₇ Data to A ₁₄ -A ₁₇ PLH Open Drain Mode
L	H	B ₁ -B ₈ Data to A ₁ -A ₈ , and A ₉ -A ₁₃ Data to Y ₉ -Y ₁₃ C ₁₄ -C ₁₇ Data to A ₁₄ -A ₁₇
H	L	A ₁ -A ₈ Data to B ₁ -B ₈ (Note 2) A ₉ -A ₁₃ Data to Y ₉ -Y ₁₃ (Note 1) C ₁₄ -C ₁₇ Data to A ₁₄ -A ₁₇ PLH Open Drain Mode
H	H	A ₁ -A ₈ Data to B ₁ -B ₈ A ₉ -A ₁₃ Data to Y ₉ -Y ₁₃ C ₁₄ -C ₁₇ Data to A ₁₄ -A ₁₇

Note 1: Y₉-Y₁₃ Open Drain Outputs

Note 2: B₁-B₈ Open Drain Outputs

Logic Diagram



Absolute Maximum Ratings(Note 3)

Supply Voltage		
V_{CC}	-0.5V to + 7.0V	
Input Voltage (V_I) (Note 4)		
A ₁ -A ₁₃ , PLH _{IN} , DIR, HD	-0.5V to V_{CC} + 0.5V	
B ₁ -B ₈ , C ₁₄ -C ₁₇ , HLH _{IN}	-0.5V to + 5.5V (DC)	
B ₁ -B ₈ , C ₁₄ -C ₁₇ , HLH _{IN}	-2.0V to + 7.0V *	*40 ns Transient
Output Voltage (V_O)		
A ₁ -A ₈ , A ₁₄ -A ₁₇ , HLH	-0.5V to V_{CC} + 0.5V	
B ₁ -B ₈ , Y ₉ -Y ₁₃ , PLH	-0.5V to + 5.5V (DC)	
B ₁ -B ₈ , Y ₉ -Y ₁₃ , PLH	-2.0V to + 7.0V*	*40 ns Transient
DC Output Current (I_O)		
A ₁ -A ₈ , HLH	±25 mA	
B ₁ -B ₈ , Y ₉ -Y ₁₃	±50 mA	
PLH (Output LOW)	84 mA	
PLH (Output HIGH)	-50 mA	
Input Diode Current (I_{IK}) (Note 4)		
DIR, HD, A ₉ -A ₁₃ ,		
PLH, HLH, C ₁₄ -C ₁₇	-20 mA	
Output Diode Current (I_{OK})		
A ₁ -A ₈ , A ₁₄ -A ₁₇ , HLH	±50 mA	
B ₁ -B ₈ , Y ₉ -Y ₁₃ , PLH	-50 mA	
DC Continuous V_{CC} or Ground Current	±200 mA	
Storage Temperature	-65°C to + 150°C	
ESD (HBM) Last Passing Voltage	2000V	

Recommended Operating Conditions

Supply Voltage	V_{CC}	4.5V to 5.5V
DC Input Voltage (V_I)		0V to V_{CC}
Open Drain Voltage (V_O)		0V to 5.5V
Operating Temperature (T_A)		-40°C to + 85°C

Note 3: Absolute Maximum continuous ratings are those values beyond which damage to the device may occur. Exposure to these indicated may adversely affect device reliability. Functional operation under absolute maximum rated conditions is not implied.

Note 4: Either voltage limit or current limit is sufficient to protect inputs.

DC Electrical Characteristics

Symbol	Parameter		V_{CC}	$T_A = -40^\circ\text{C to }+85^\circ\text{C}$	Units	Conditions
			(V)	Guaranteed Limits		
V_{IK}	Input Clamp Diode Voltage		3.0	-1.2	V	$I_I = -18\text{ mA}$
V_{IH}	Minimum HIGH Level Input Voltage	A _n , PLH _{IN} , DIR, HD	4.5 - 5.5	0.7 V_{CC}	V	
		B _n	4.5 - 5.5	2.0		
		C _n	4.5 - 5.5	2.3		
		HLH _{IN}	4.5 - 5.5	2.6		
V_{IL}	Maximum LOW Level Input Voltage	A _n , PLH _{IN} , DIR, HD	4.5 - 5.5	0.3 V_{CC}	V	
		B _n	4.5 - 5.5	0.8		
		C _n	4.5 - 5.5	0.8		
		HLH _{IN}	4.5 - 5.5	1.6		
ΔVT	Minimum Input Hysteresis	A _n , PLH _{IN} , DIR, HD	4.5 - 5.5	0.4	V	$V_{T^+} - V_{T^-}$
		B _n	4.5 - 5.5	0.4		$V_{T^+} - V_{T^-}$
		C _n	5.0	0.8		$V_{T^+} - V_{T^-}$
		HLH _{IN}	5.0	0.3		$V_{T^+} - V_{T^-}$
V_{OH}	Minimum HIGH Level Output Voltage	A _n , HLH	4.5	4.4	V	$I_{OH} = -50\ \mu\text{A}$
			4.5	3.8		$I_{OH} = -8\text{ mA}$
		B _n , Y _n	4.5	3.73		$I_{OH} = -14\text{ mA}$
		PLH	4.5	4.45		$I_{OH} = -500\ \mu\text{A}$

DC Electrical Characteristics (Continued)

Symbol	Parameter	V _{CC} (V)	T _A = -40°C to +85°C		Units	Conditions	
			Guaranteed Limits				
V _{OL}	Maximum LOW Level Output Voltage	A _n , HLH	4.5	0.1	V	I _{OL} = 50 μA I _{OL} = 8 mA	
			4.5	0.44			
			B _n , Y _n	4.5			0.77
				PLH			4.5
RD	Maximum Output Impedance	B ₁ -B ₈ , Y ₉ -Y ₁₃	5.0	55	Ω	(Note 5)(Note 6)	
	Minimum Output Impedance	B ₁ -B ₈ , Y ₉ -Y ₁₃	5.0	35	Ω	(Note 5)(Note 6)	
RP	Maximum Pull-Up Resistance	B ₁ -B ₈ , Y ₉ -Y ₁₃ , C ₁₄ -C ₁₇	5.0	1650	Ω		
	Minimum Pull-Up Resistance	B ₁ -B ₈ , Y ₉ -Y ₁₃ , C ₁₄ -C ₁₇	5.0	1150	Ω		
I _{IH}	Maximum Input Current in HIGH State	A ₉ -A ₁₃ , PLH _{IN} , HD, DIR, HLH _{IN}	5.5	1.0	μA	V _I = 5.5V V _I = 5.5V	
		C ₁₄ -C ₁₇	5.5	100			
I _{IL}	Maximum Input Current in LOW State	A ₉ -A ₁₃ , PLH _{IN} , HD, DIR, HLH _{IN}	5.5	-1.0	μA	V _I = 0.0V V _I = 0.0V	
		C ₁₄ -C ₁₇	5.5	-5.0			mA
I _{OZH}	Maximum Output Disable Current (HIGH)	A ₁ -A ₈	5.5	20	μA	V _O = 5.5V V _O = 5.5V	
		B ₁ -B ₈	5.5	100			
I _{OZL}	Maximum Output Disable Current (LOW)	A ₁ -A ₈	5.5	-20	μA	V _O = 0.0V	
		B ₁ -B ₈	5.5	-5.0			mA
I _{OFF}	Power Down Output Leakage	B ₁ -B ₈ , Y ₉ -Y ₁₃ , PLH	0.0	100	μA	V _O = 5.5V	
I _{OFF}	Power Down Input Leakage	C ₁₄ -C ₁₇ , HLH _{IN}	0.0	100	μA	V _I = 5.5V	
I _{OFF} - I _{CC}	Power Down Leakage to V _{CC}		0.0	250	μA	(Note 7)	
I _{CC}	Maximum Supply Current		5.5	70	mA	V _I = V _{CC} or GND	

Note 5: Output impedance is measured with the output active LOW and active HIGH (HD = HIGH).

Note 6: This parameter is guaranteed but not tested, characterized only.

Note 7: Power-down leakage to V_{CC} is tested by simultaneously forcing all pins on the cable-side (B₁-B₈, Y₉-Y₁₃, PLH, C₁₄-C₁₇ and HLH_{IN}) to 5.5V and measuring the resulting I_{CC}.

AC Electrical Characteristics					
Symbol	Parameter	$T_A = -40^\circ\text{C to } +85^\circ\text{C}$ $V_{CC} = 4.5\text{V} - 5.5\text{V}$		Units	Figure Number
		Min	Max		
t_{PHL}	A ₁ -A ₈ to B ₁ -B ₈	2.0	30.0	ns	Figure 1
t_{PLH}	A ₁ -A ₈ to B ₁ -B ₈	2.0	30.0	ns	Figure 2
t_{PHL}	B ₁ -B ₈ to A ₁ -A ₈	2.0	30.0	ns	Figure 3
t_{PLH}	B ₁ -B ₈ to A ₁ -A ₈	2.0	30.0	ns	Figure 3
t_{PHL}	A ₉ -A ₁₃ to Y ₉ -Y ₁₃	2.0	30.0	ns	Figure 1
t_{PLH}	A ₉ -A ₁₃ to Y ₉ -Y ₁₃	2.0	30.0	ns	Figure 2
t_{PHL}	C ₁₄ -C ₁₇ to A ₁₄ -A ₁₇	2.0	30.0	ns	Figure 3
t_{PLH}	C ₁₄ -C ₁₇ to A ₁₄ -A ₁₇	2.0	30.0	ns	Figure 3
t_{SKEW}	LH-LH or HL-HL		6.0	ns	(Note 9)
t_{PHL}	PLH _{IN} to PLH	2.0	30.0	ns	Figure 1
t_{PLH}	PLH _{IN} to PLH	2.0	30.0	ns	Figure 2
t_{PHL}	HLH _{IN} to HLH	2.0	30.0	ns	Figure 3
t_{PLH}	HLH _{IN} to HLH	2.0	30.0	ns	Figure 3
t_{PHZ}	Output Disable Time	2.0	18.0	ns	Figure 7
t_{PLZ}	DIR to A ₁ -A ₈	2.0	18.0	ns	Figure 7
t_{PZH}	Output Enable Time	2.0	25.0	ns	Figure 8
t_{PZL}	DIR to A ₁ -A ₈	2.0	25.0	ns	Figure 8
t_{PHZ}	Output Disable Time	2.0	25.0	ns	Figure 9
t_{PLZ}	DIR to B ₁ -B ₈	2.0	25.0	ns	Figure 9
t_{PEN}	Output Enable Time HD to B ₁ -B ₈ , Y ₉ -Y ₁₃	2.0	28.0	ns	Figure 2
t_{pDis}	Output Disable Time HD to B ₁ -B ₈ , Y ₉ -Y ₁₃	2.0	28.0	ns	Figure 2
$t_{pEn} - t_{pDis}$	Output Enable-Output Disable		20.0	ns	
t_{SLEW}	Output Slew Rate				
t_{PLH}	B ₁ -B ₈ , Y ₉ -Y ₁₃	0.05	0.40	V/ns	Figure 5
t_{PHL}	B ₁ -B ₈ , Y ₉ -Y ₁₃	0.05	0.40	V/ns	Figure 4
t_r, t_f	t_{RISE} and t_{FALL} B ₁ -B ₈ , Y ₉ -Y ₁₃ (Note 8)		120	ns	Figure 6 (Note 10)
			120	ns	(Note 10)
Note 8: Open Drain					
Note 9: t_{SKEW} is measured for common edge output transitions and compares the measured propagation delay for a given path type.					
(i) A ₁ -A ₈ to B ₁ -B ₈ , A ₉ -Y ₁₃ to Y ₉ -Y ₁₃					
(ii) B ₁ -B ₈ to A ₁ -A ₈					
(iii) C ₁₄ -C ₁₇ to A ₁₄ -A ₁₇					
Note 10: This parameter is guaranteed but not tested, characterized only.					
Capacitance (Note 11)					
Symbol	Parameter	Typ	Units	Conditions	
C _{IN}	Input Capacitance	5	pF	V _{CC} = 0.0V (HD, DIR, A ₉ -A ₁₃ , C ₁₄ -C ₁₇ , PLH _{IN} and HLH _{IN})	
C _{I/O}	I/O Pin Capacitance	12	pF	V _{CC} = 3.3V	
Note 11: Capacitance is measured at frequency = 1 MHz.					

AC Loading and Waveforms

Pulse Generator for all pulses: Rate ≤ 1.0 MHz; $Z_0 \leq 50\Omega$; $t_r \leq 2.5$ ns, $t_f \leq 2.5$ ns.

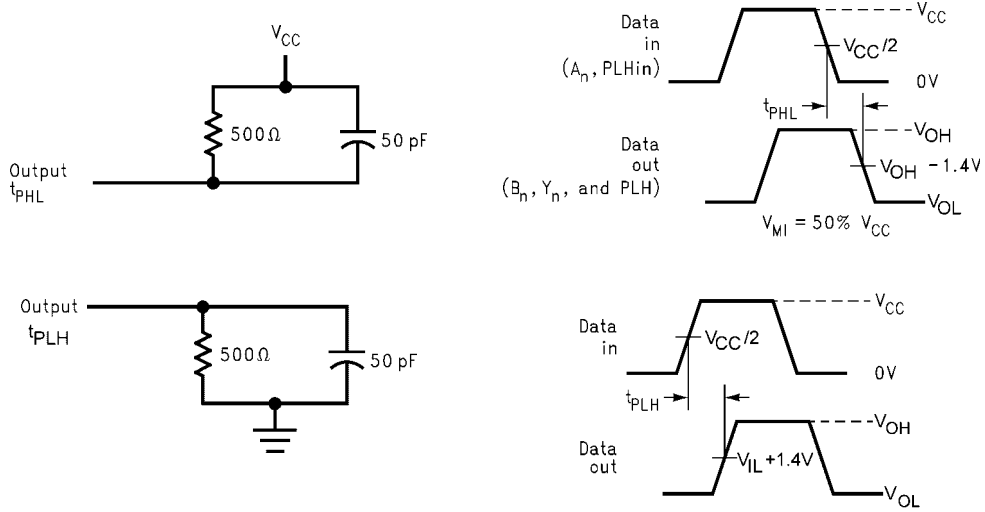


FIGURE 1. Part A to B and A to Y Propagation Delay Load and Waveforms

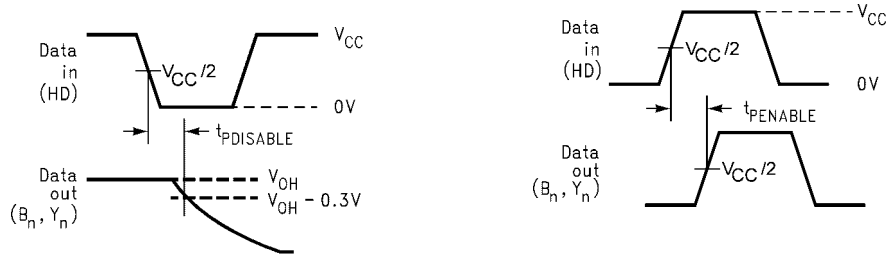


FIGURE 2. Port A to B and a to Y Output Waveforms

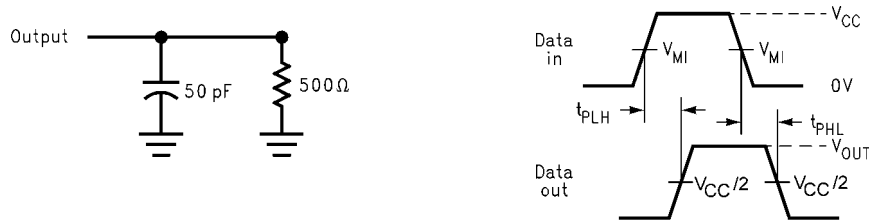


FIGURE 3. Port B to A, C to A and HLHin to HLH Propagation Delay Waveforms

AC Loading and Waveforms (Continued)

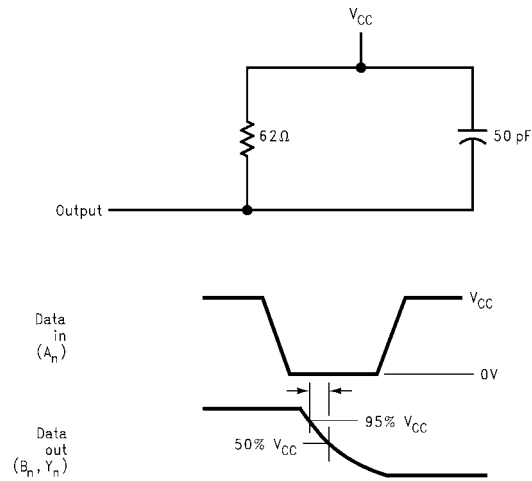


FIGURE 4. Port A to B and A to Y HL Slew Test Load and Waveforms

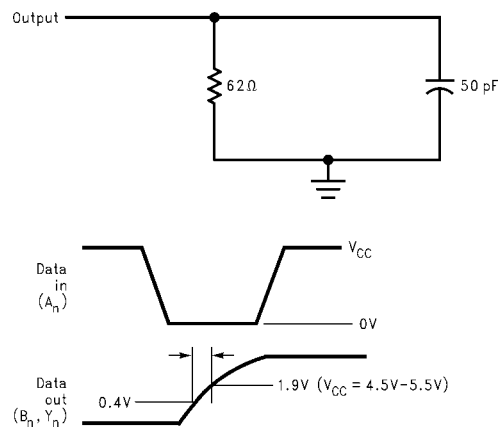
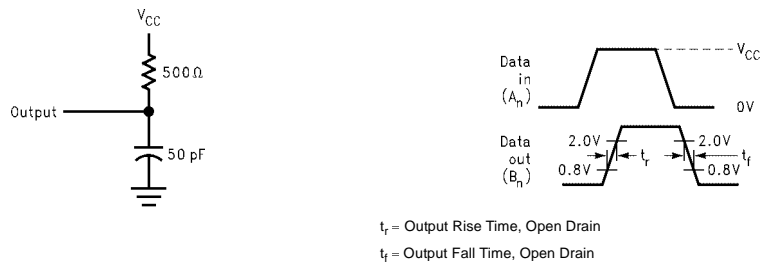


FIGURE 5. Part A to b and A to Y LH Slew Test Load and Waveforms



t_r = Output Rise Time, Open Drain
 t_f = Output Fall Time, Open Drain

FIGURE 6. t_{RISE} and t_{FALL} Test Load and Waveforms for Open Drain Outputs
 A₁-A₈ to B₁-B₈, A₉-A₁₃ to Y₉-Y₁₃

AC Loading and Waveforms (Continued)

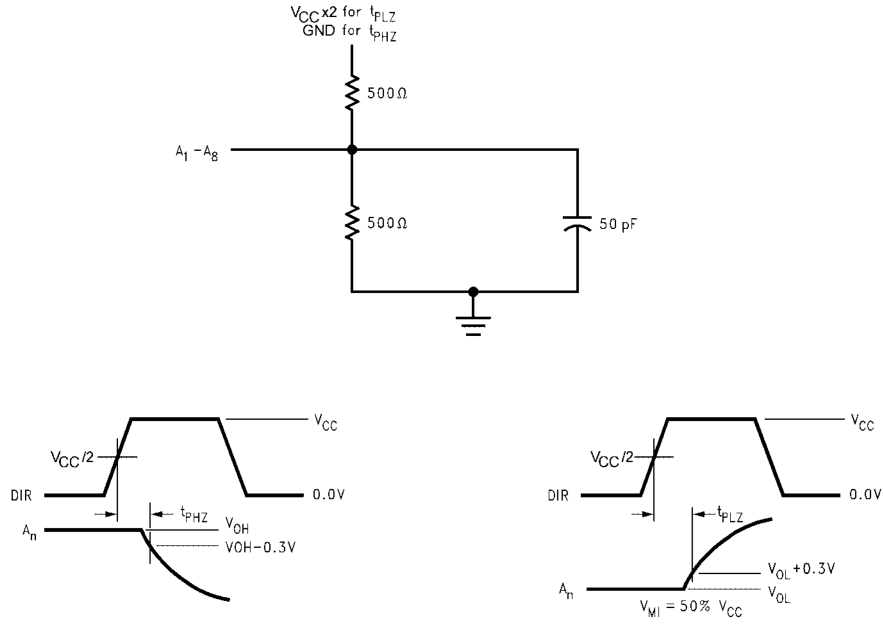


FIGURE 7. t_{PHZ} and t_{PLZ} Test Load and Waveforms, DIR to A_1-A_8

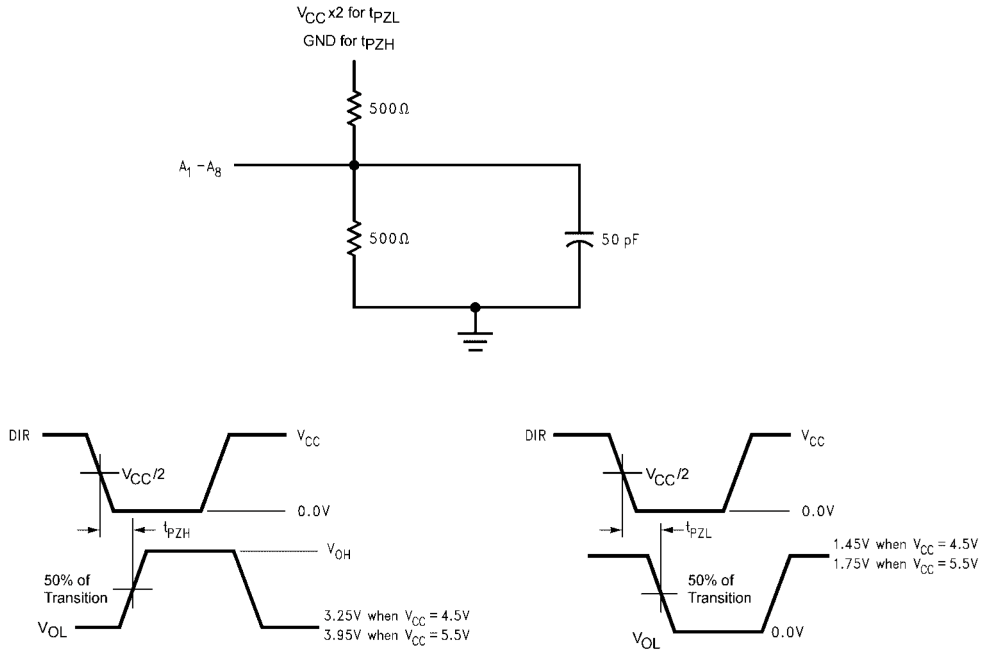


FIGURE 8. t_{PZH} and t_{PZL} Test Load and Waveforms, DIR to A_1-A_8

AC Loading and Waveforms (Continued)

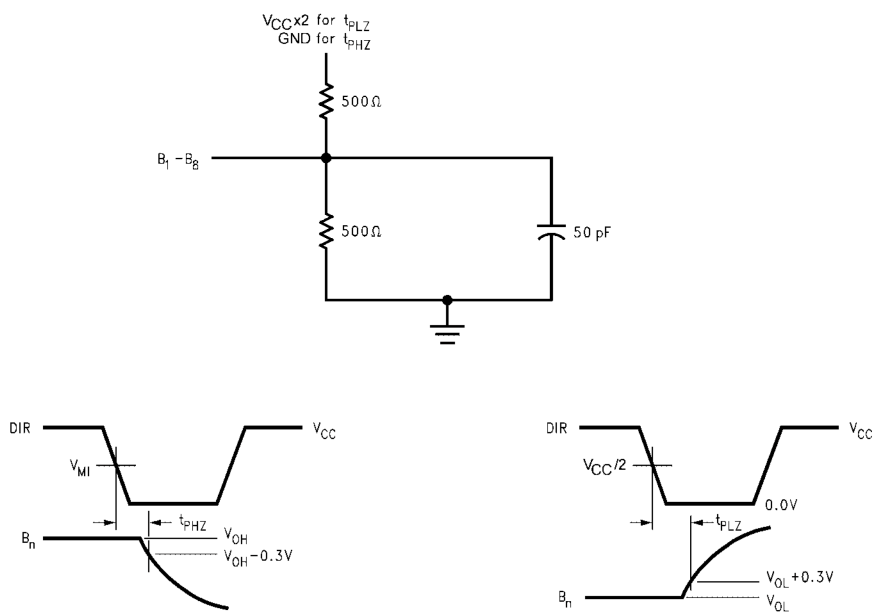
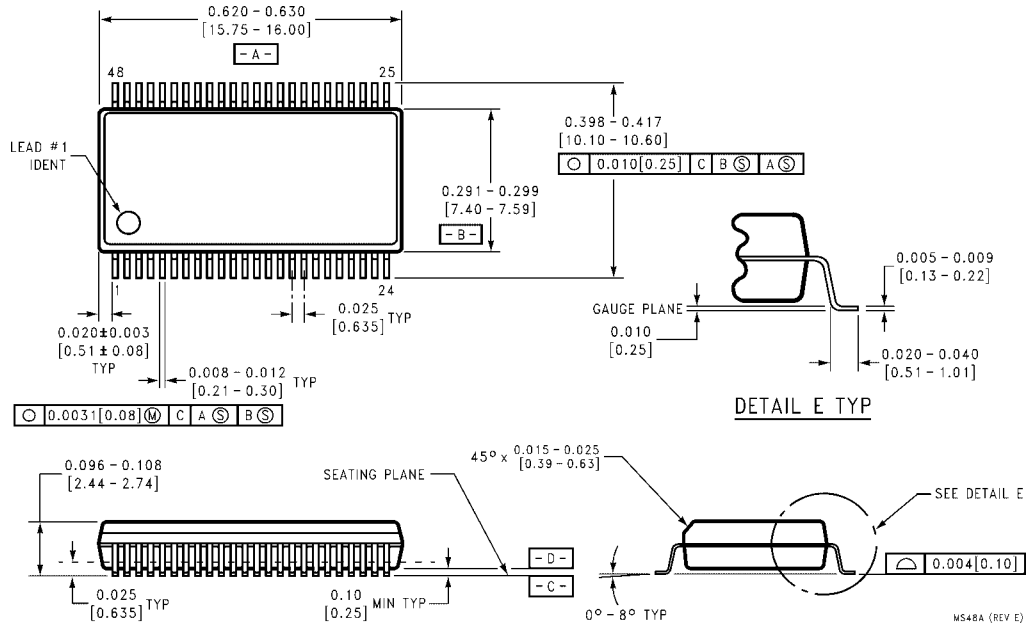


FIGURE 9. t_{PHZ} and t_{PLZ} Test Load and Waveforms, DIR to B_1-B_8

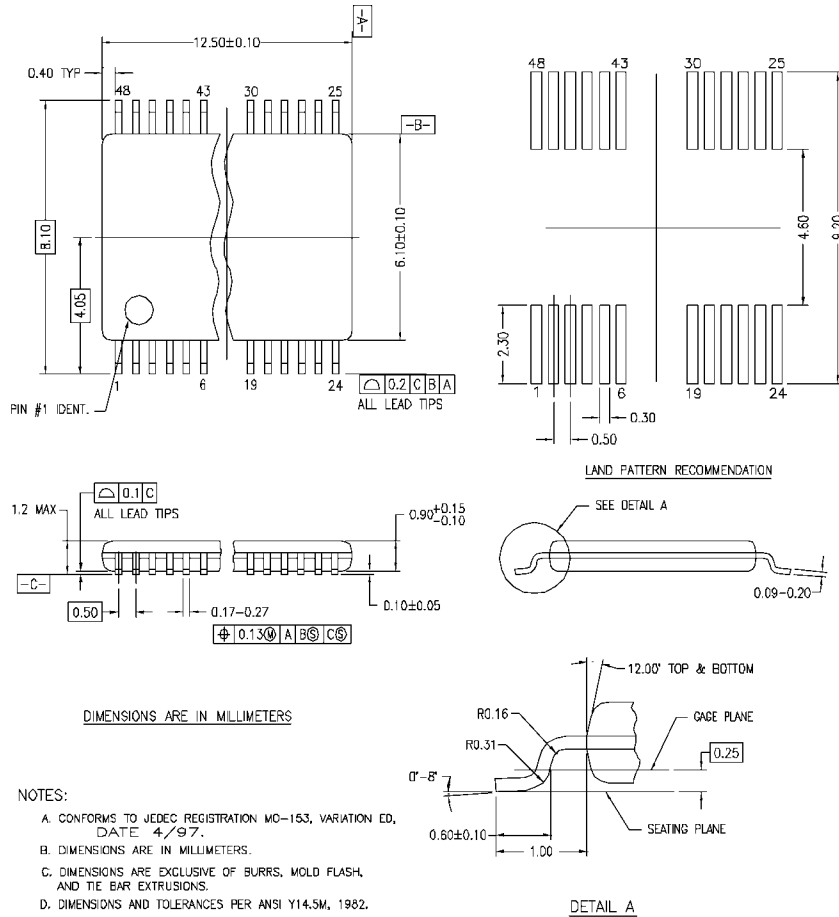
74VHC161284

Physical Dimensions inches (millimeters) unless otherwise noted



**48-Lead Small Shrink Outline Package (SSOP), JEDEC MO-118, 0.300" Wide
Package Number MS48A**

Physical Dimensions inches (millimeters) unless otherwise noted (Continued)



MTD48REVC

48-Lead Thin Shrink Small Outline Package (TSSOP), JEDEC MO-153, 6.1mm Wide Package Number MTD48

Fairchild does not assume any responsibility for use of any circuitry described, no circuit patent licenses are implied and Fairchild reserves the right at any time without notice to change said circuitry and specifications.

LIFE SUPPORT POLICY

FAIRCHILD'S PRODUCTS ARE NOT AUTHORIZED FOR USE AS CRITICAL COMPONENTS IN LIFE SUPPORT DEVICES OR SYSTEMS WITHOUT THE EXPRESS WRITTEN APPROVAL OF THE PRESIDENT OF FAIRCHILD SEMICONDUCTOR CORPORATION. As used herein:

1. Life support devices or systems are devices or systems which, (a) are intended for surgical implant into the body, or (b) support or sustain life, and (c) whose failure to perform when properly used in accordance with instructions for use provided in the labeling, can be reasonably expected to result in a significant injury to the user.
2. A critical component in any component of a life support device or system whose failure to perform can be reasonably expected to cause the failure of the life support device or system, or to affect its safety or effectiveness.

www.fairchildsemi.com

ON Semiconductor and  are trademarks of Semiconductor Components Industries, LLC dba ON Semiconductor or its subsidiaries in the United States and/or other countries. ON Semiconductor owns the rights to a number of patents, trademarks, copyrights, trade secrets, and other intellectual property. A listing of ON Semiconductor's product/patent coverage may be accessed at www.onsemi.com/site/pdf/Patent-Marking.pdf. ON Semiconductor reserves the right to make changes without further notice to any products herein. ON Semiconductor makes no warranty, representation or guarantee regarding the suitability of its products for any particular purpose, nor does ON Semiconductor assume any liability arising out of the application or use of any product or circuit, and specifically disclaims any and all liability, including without limitation special, consequential or incidental damages. Buyer is responsible for its products and applications using ON Semiconductor products, including compliance with all laws, regulations and safety requirements or standards, regardless of any support or applications information provided by ON Semiconductor. "Typical" parameters which may be provided in ON Semiconductor data sheets and/or specifications can and do vary in different applications and actual performance may vary over time. All operating parameters, including "Typicals" must be validated for each customer application by customer's technical experts. ON Semiconductor does not convey any license under its patent rights nor the rights of others. ON Semiconductor products are not designed, intended, or authorized for use as a critical component in life support systems or any FDA Class 3 medical devices or medical devices with a same or similar classification in a foreign jurisdiction or any devices intended for implantation in the human body. Should Buyer purchase or use ON Semiconductor products for any such unintended or unauthorized application, Buyer shall indemnify and hold ON Semiconductor and its officers, employees, subsidiaries, affiliates, and distributors harmless against all claims, costs, damages, and expenses, and reasonable attorney fees arising out of, directly or indirectly, any claim of personal injury or death associated with such unintended or unauthorized use, even if such claim alleges that ON Semiconductor was negligent regarding the design or manufacture of the part. ON Semiconductor is an Equal Opportunity/Affirmative Action Employer. This literature is subject to all applicable copyright laws and is not for resale in any manner.

PUBLICATION ORDERING INFORMATION

LITERATURE FULFILLMENT:

Literature Distribution Center for ON Semiconductor
19521 E. 32nd Pkwy, Aurora, Colorado 80011 USA
Phone: 303-675-2175 or 800-344-3860 Toll Free USA/Canada
Fax: 303-675-2176 or 800-344-3867 Toll Free USA/Canada
Email: orderlit@onsemi.com

N. American Technical Support: 800-282-9855 Toll Free
USA/Canada
Europe, Middle East and Africa Technical Support:
Phone: 421 33 790 2910
Japan Customer Focus Center
Phone: 81-3-5817-1050

ON Semiconductor Website: www.onsemi.com
Order Literature: <http://www.onsemi.com/orderlit>
For additional information, please contact your local
Sales Representative